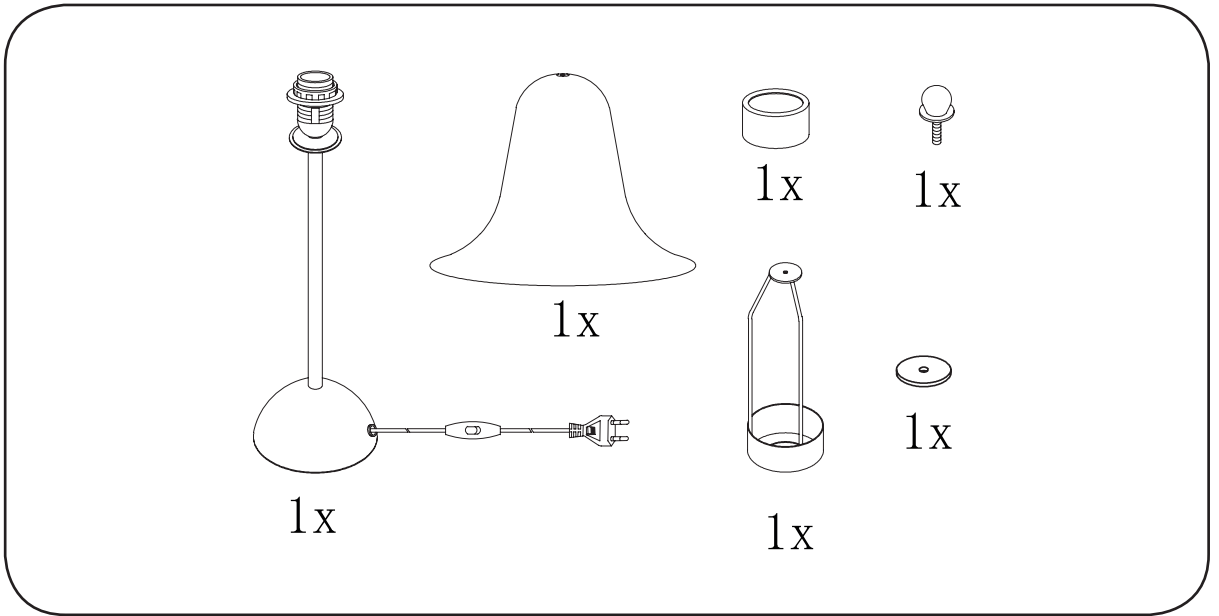


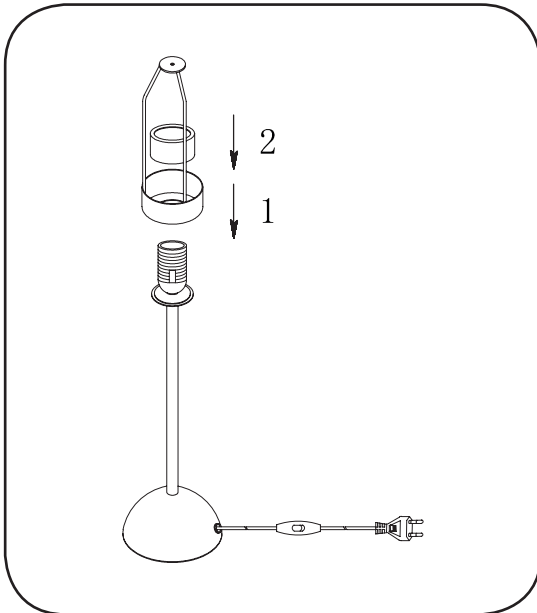
Pantop Table

Design by VERNER PANTON

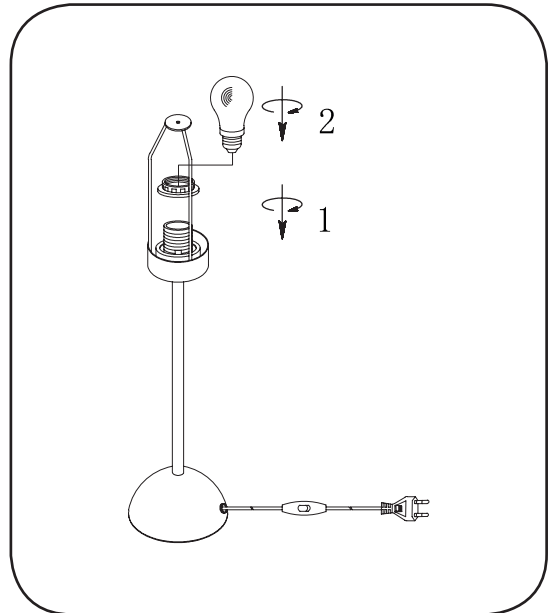
Please read thoroughly before assembly



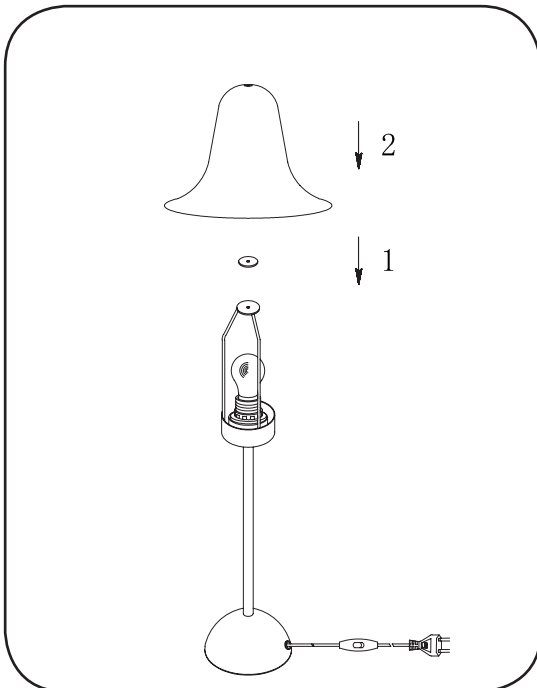
1



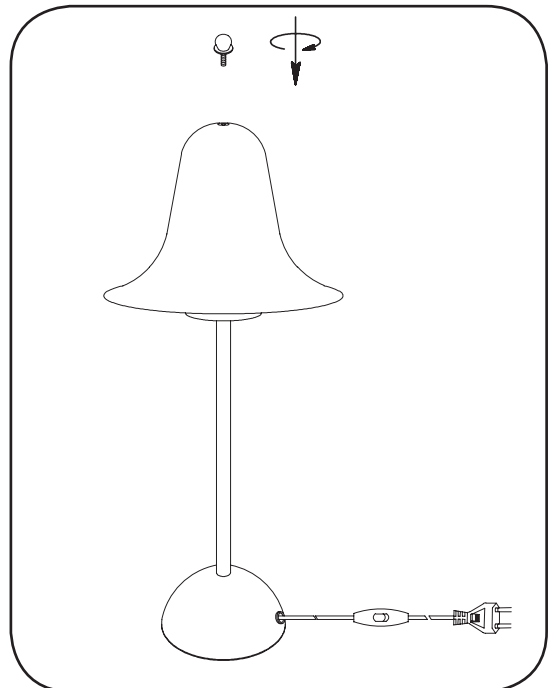
2



3



4



HOW TO CLEAN:

CLEAN WITH A SOFT CLOTH, WARM WATER AND A MILD DETERGENT. DO NOT USE ANY ABRASIVE MATERIALS.

IMPORTANT

IF THE EXTERNAL FLEXIBLE CABLE OR CORD OF THIS LUMINAIRE IS DAMAGED, IT SHALL BE EXCLUSIVELY REPLACED BY THE MANUFACTURER OR HIS SERVICE AGENT OR A SIMILAR QUALIFIED PERSON IN ORDER TO AVOID A HAZARD.

DESIGNED
IN THE PAST
MADE FOR
TOMORROW

VERPAN ApS
Egeskovvej 29
8700 Horsens
Denmark

www.verpan.com

info@verpan.com