

Designed by
VERNER PANTON

OFFICIAL CERTIFICATED DANISH DESIGN ICONS

Exclusively Produced by
VERPAN

VERPAN

FACTSHEETS

Cloverleaf sofa



CLOVERLEAF (RIGHT & LEFT UNIT)

Sofa

1969

Description

Modular sofa system consisting of right, left, middle and extended unit.

Material

Wood frame, plywood 18 mm (0.7") and pine wood.
Seat is cushioned with CMHR foam (HR3030/HR4250).
Moulded backrest, metal insert, CMHR foam.
Adjustable nylon glides.

Colour & fabric

For further details regarding available colours please contact your local dealer.

Product dimensions - right/left unit

L: 114,5 cm (45.1")
W: 115,5 cm (45,5")
H: 80 cm (31.5")
Seat height: 40 cm (15.7")

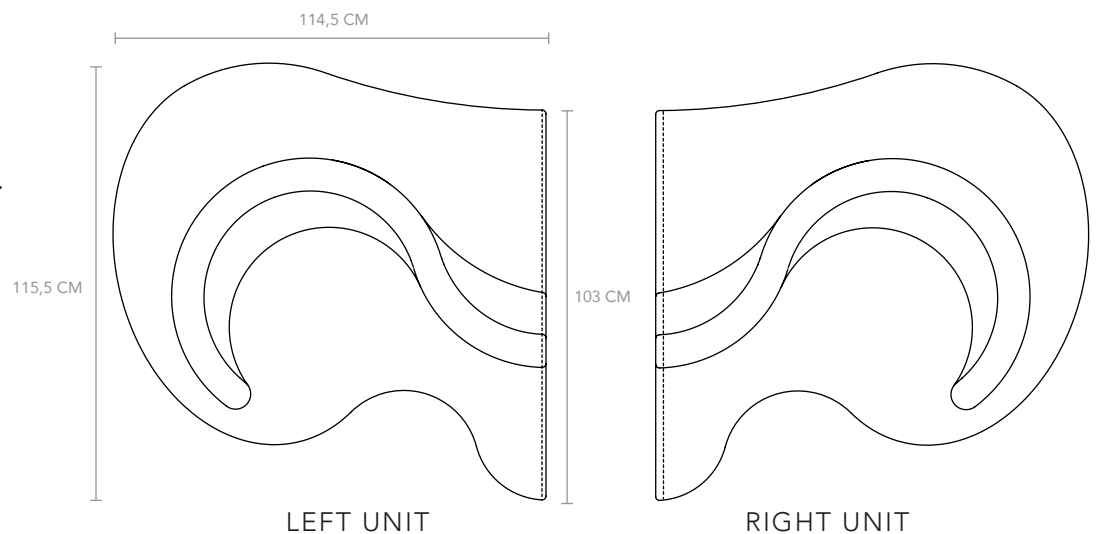


Box dimensions

124 x 124 x 105 cm
(48.8 x 48.8 x 41.3")
Stackable wooden crates.

Weight

112 kg



CLOVERLEAF (MIDDLE UNIT)

Sofa

1969

Description

Modular sofa system consisting of right, left, middle and extended unit.

Material

Wood frame, plywood 18 mm (0.7") and pine wood.
Seat is cushioned with CMHR foam (HR3030/HR4250).
Moulded backrest, metal insert, CMHR foam.
Adjustable nylon glides.

Colour & fabric

For further details regarding available colours please contact your local dealer.

Product dimensions - middle unit

(NB! Depending on placement angle)

L: 137 cm (54")

W: 142 cm (56")

H: 80 cm (31.5")

Seat height: 40 cm (15.7")

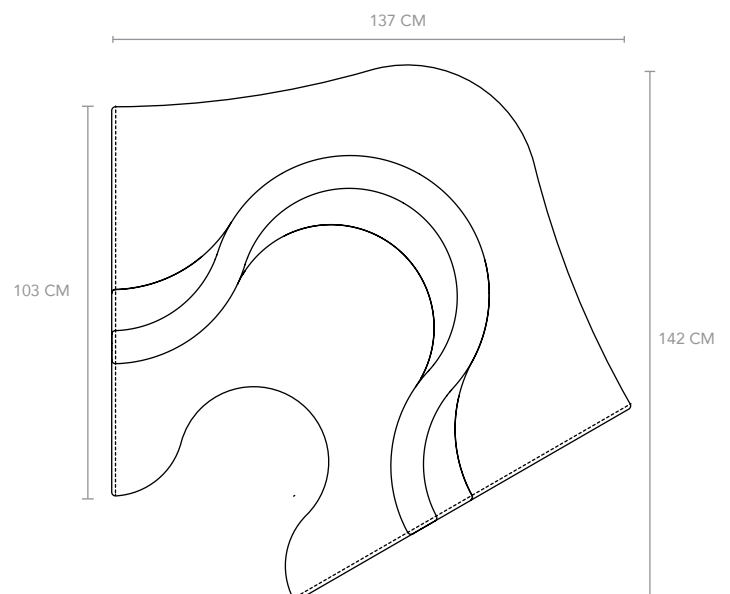
Box dimensions

149 x 152 x 105 cm (58.7 x 59.9 x 41.3")

Stackable wooden crates.

Weight

142 kg



CLOVERLEAF (EXTENSION UNIT)

Sofa

1969

Description

Modular sofa system consisting of right, left, middle and extended unit.

Material

Wood frame, plywood 18 mm (0.7") and pine wood. Seat is cushioned with CMHR foam (HR3030/HR4250). Moulded backrest, metal insert, CMHR foam.

Adjustable nylon glides.

Colour & fabric

For further details regarding available colours please contact your local dealer.

Product dimensions - extended unit

L: 130 cm (51.2")

W: 113 cm (44.5")

H: 80 cm (31.5")

Seat height: 40 cm (15.7")

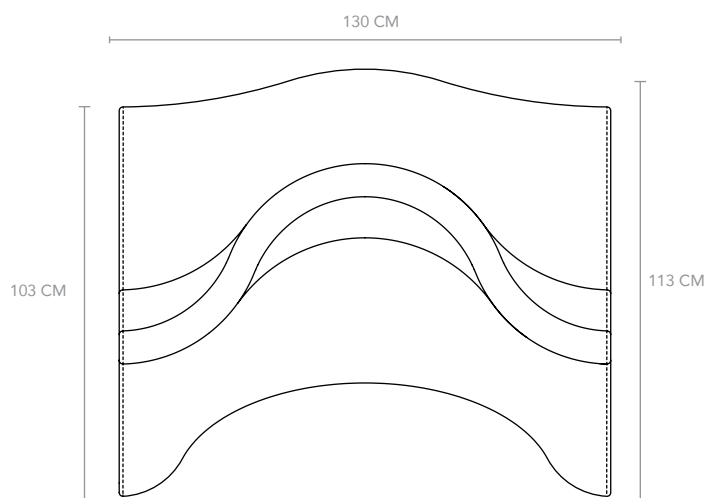
Box dimensions

149 x 152 x 105 cm (58.7 x 59.8 x 41.3")

Stackable wooden crates.

Weight

135 kg



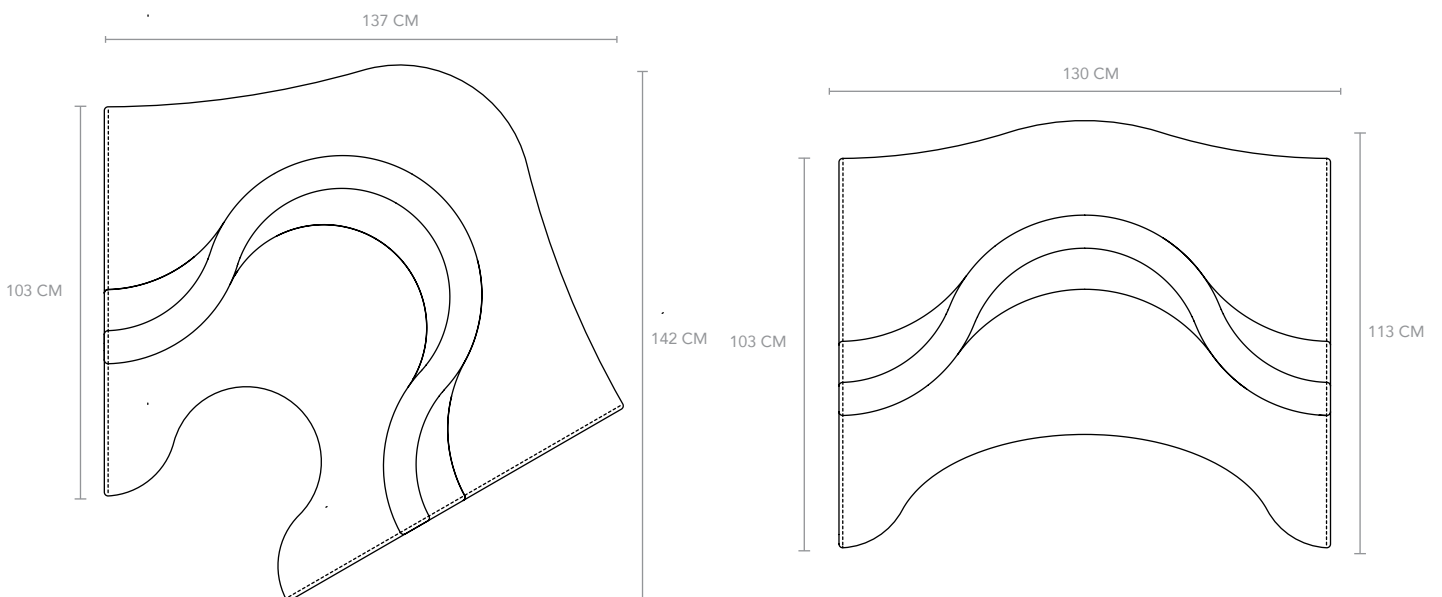
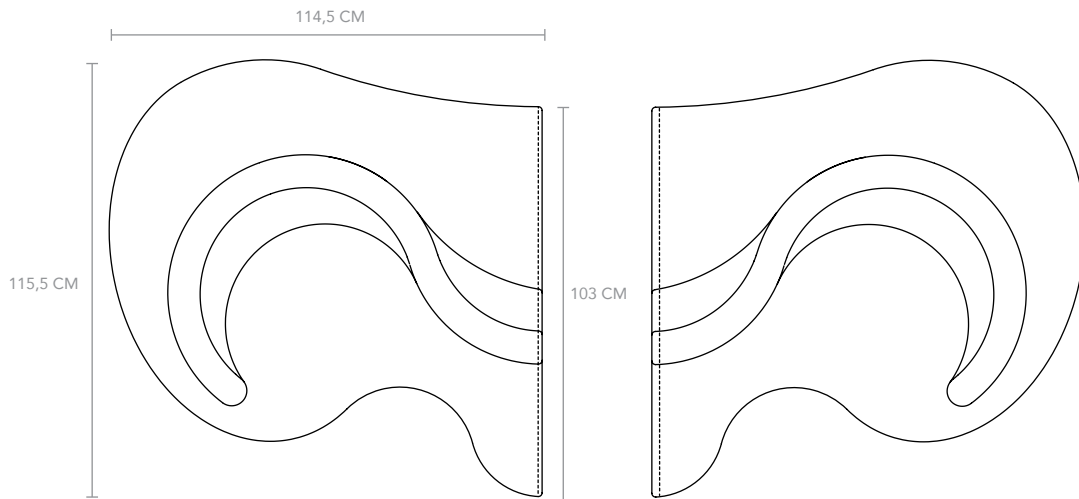
Designed by
VERNER PANTON

OFFICIAL CERTIFICATED DANISH DESIGN ICONS

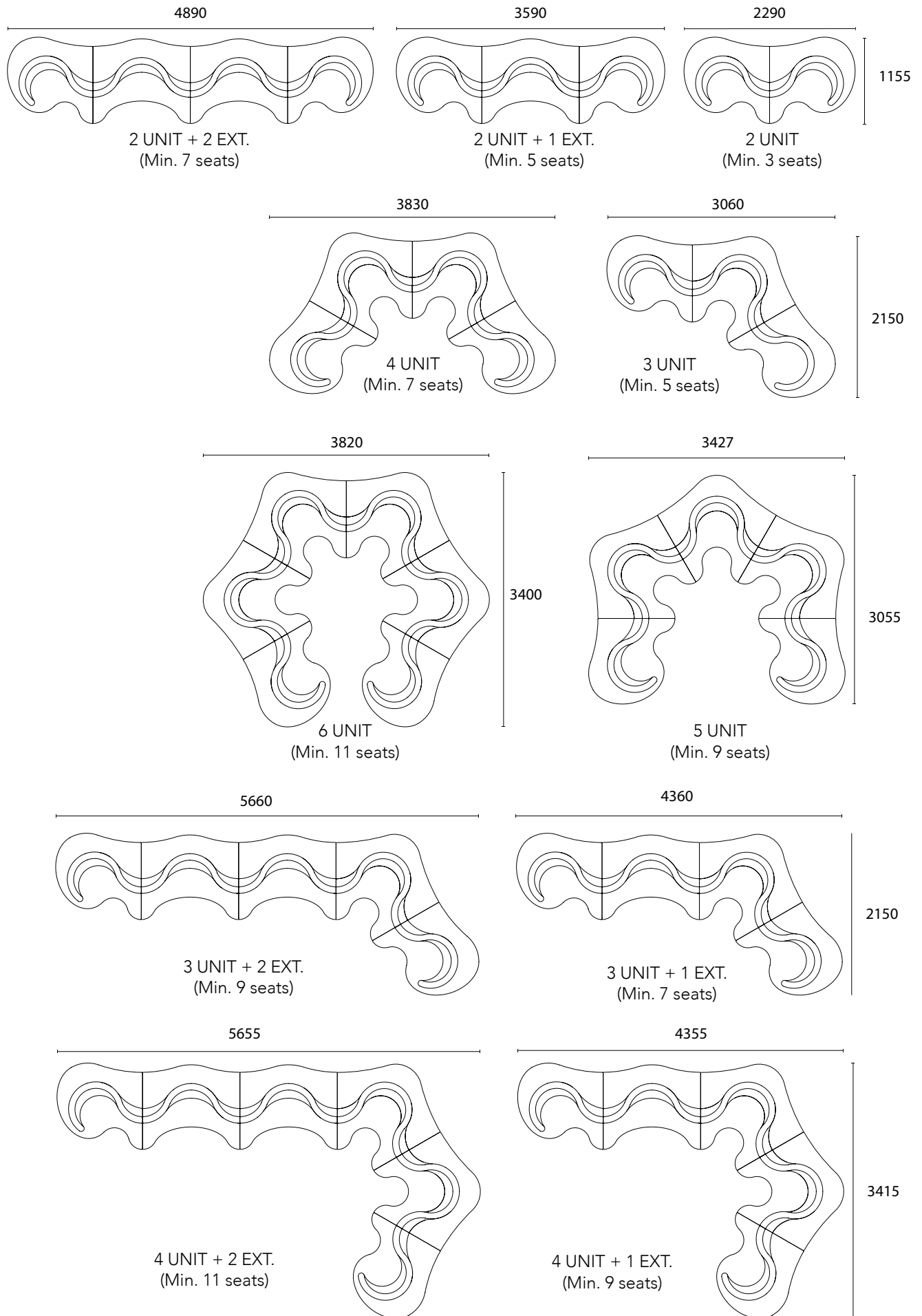
Exclusively Produced by
VERPAN



CLOVERLEAF SOFA Dimension overview



SELECTED UNIT COMPOSITIONS..



OBS! Dimensions must be read with a tolerance ± 50 mm depending on variant (upholstery / PE), choice of fabric, unit compositions ect.