

SYSTEM 1 2 3
Rack & Divider

Design by **VERNER PANTON**

1

Important!

Before mounting the base, place the mirror/rack/divider on a soft surface (eg. at a table covered with a throw or a towel) to avoid damage to the mirror.

We recommend two people to place the mirror in horizontal position.

Now you are ready to mount the foot plate to your new furniture.

2

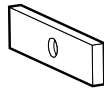
Contents:



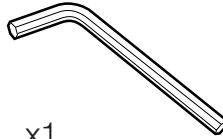
x1



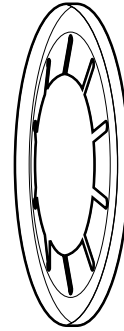
x1
Turnable



x1
Locked

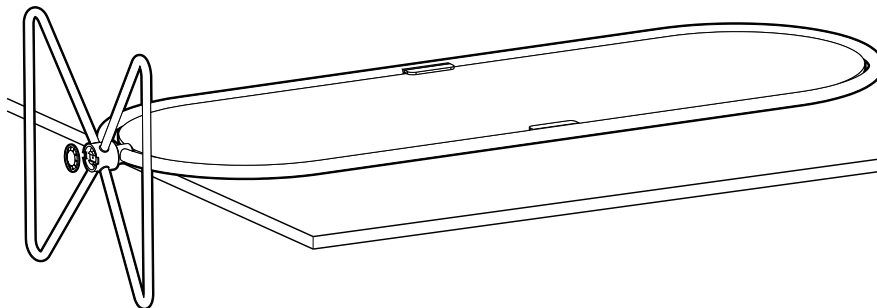


x1

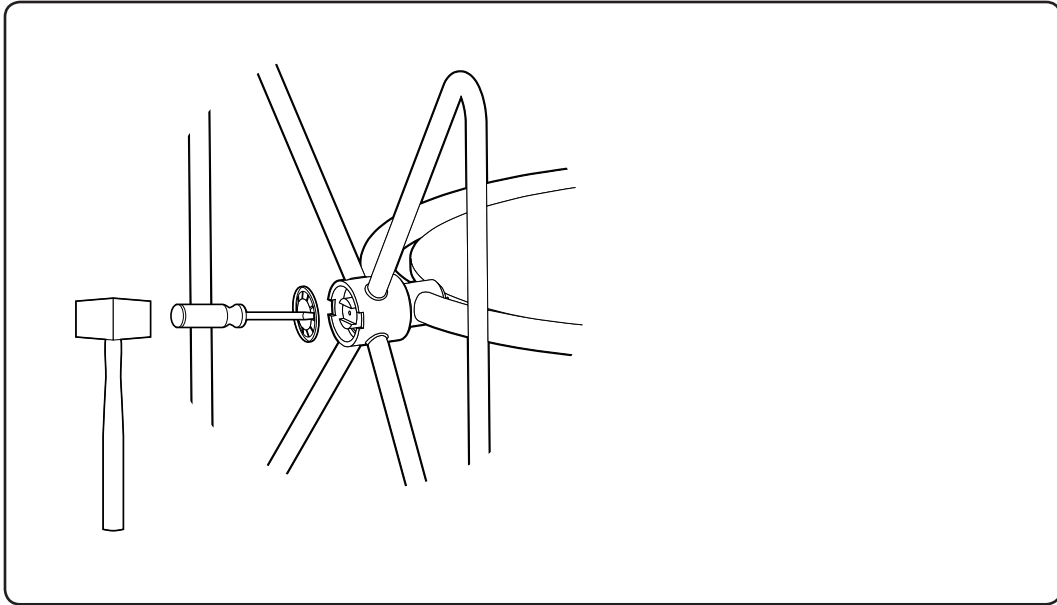


x1

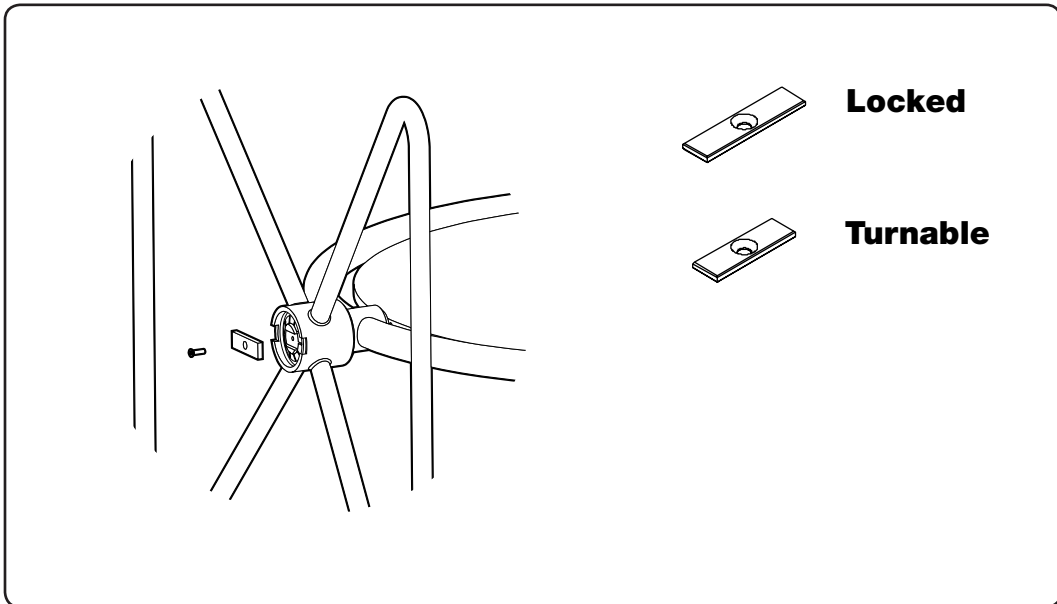
3



4



5



6

Maintenance of System 1 2 3 Mirror / Rack / Divider:

Base: Wipe off surfaces with a damp cloth. Grease stains can be removed with soapy water. Do not use abrasive cloth or substances as it will scratch the surface.

Mirror: Mild detergent or window cleaner.

Fabric: Regular cleaning is important in order to keep the upholstery looking its best and to prolong its life. Dust and dirt wear the textile and also reduce its fire-retardant properties.

Vacuum frequently on medium power, ideally every week. Remove non-greasy stains by carefully dabbing with a lint-free cloth or sponge wrung out in clean warm water. Afterwards, if necessary, clean by dabbing with soapy water or water with a little washing-up liquid added. See formulae. Finally, dab the surface with clean, tepid water. **Notice:** For indoor use only!

DESIGNED
IN THE PAST
MADE FOR
TOMORROW

VERPAN ApS
Egeskovvej 29
8700 Horsens
Denmark

www.verpan.com

info@verpan.com