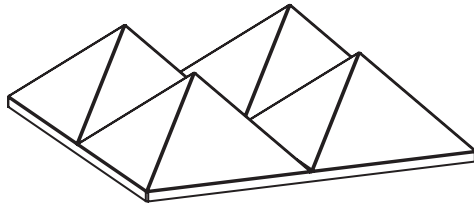


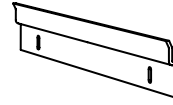
MIRROR SCULPTURES
wall decoration

Verner Panton (1965)

Content:



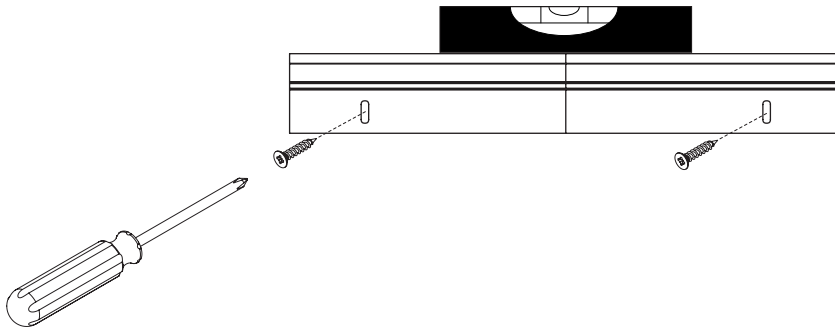
x1



x1

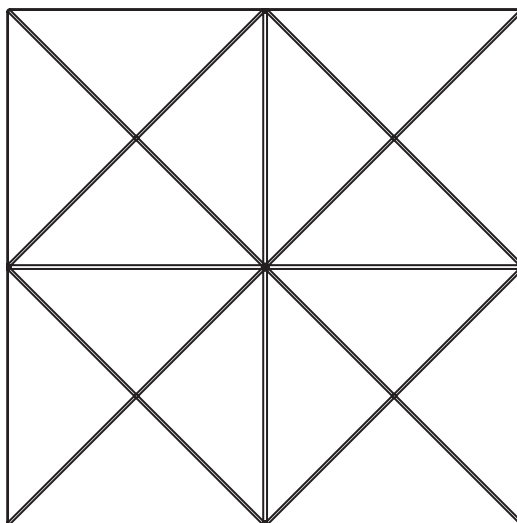
OBS! Screws not included

1



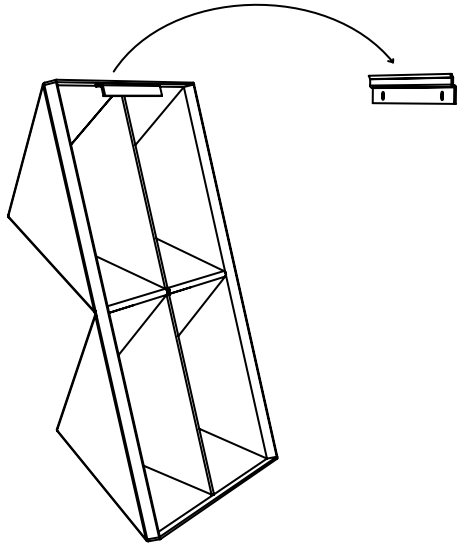
Mount the bracket. Please make sure to use screws and raw plugs appropriate for the type of wall on which you wish to hang the Mirror Sculpture.

2

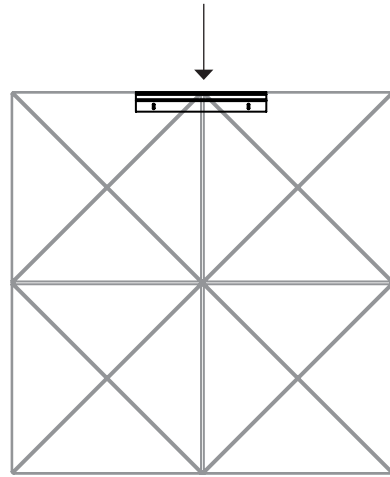


Carefully remove the protective film from the surface. Be careful not to press too hard on the surface.

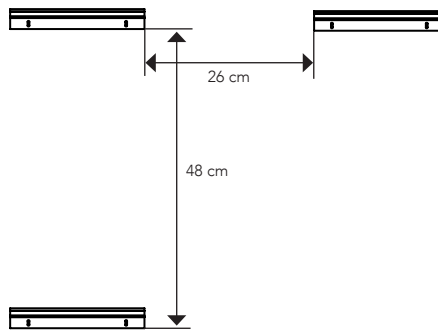
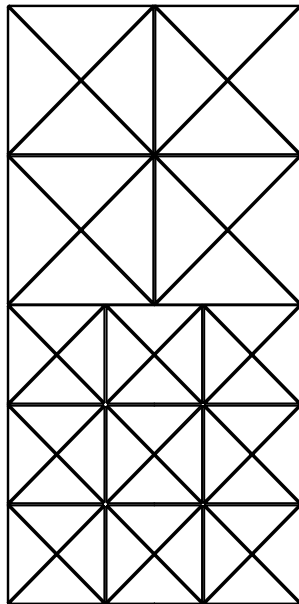
3



Hang the Mirror Sculpture!



Give it a slight push from the top to make it fall in to place.



If you want to hang the Mirror Sculptures side by side, the vertical distance between the bracket bottoms must be 48 cm and the horizontal distance between the brackets must be 26 cm. (hang the lower first) You are able to adjust the Mirror Sculptures horizontally on the bracket.

Maintenance of Mirror Sculptures

To clean the Mirror Sculpture use anti-static window polish with a soft cloth. We recommend to polish the Mirror Sculpture right after the protective foil has been removed. The acrylic surface is very static after removing the foil, and will quickly attract dust.

Notice: For indoor use only!

VERPAN APS

EGESKOVVEJ 29
8700 HORSENS
DENMARK

+45 76 58 18 82
INFO@VERPAN.COM
WWW.VERPAN.COM

WEB: *Verpan.com*
FACEBOOK: *verpan.com*
INSTAGRAM: *verpancom*

Designed by
VERNER PANTON
Exclusively Produced by
VERPAN