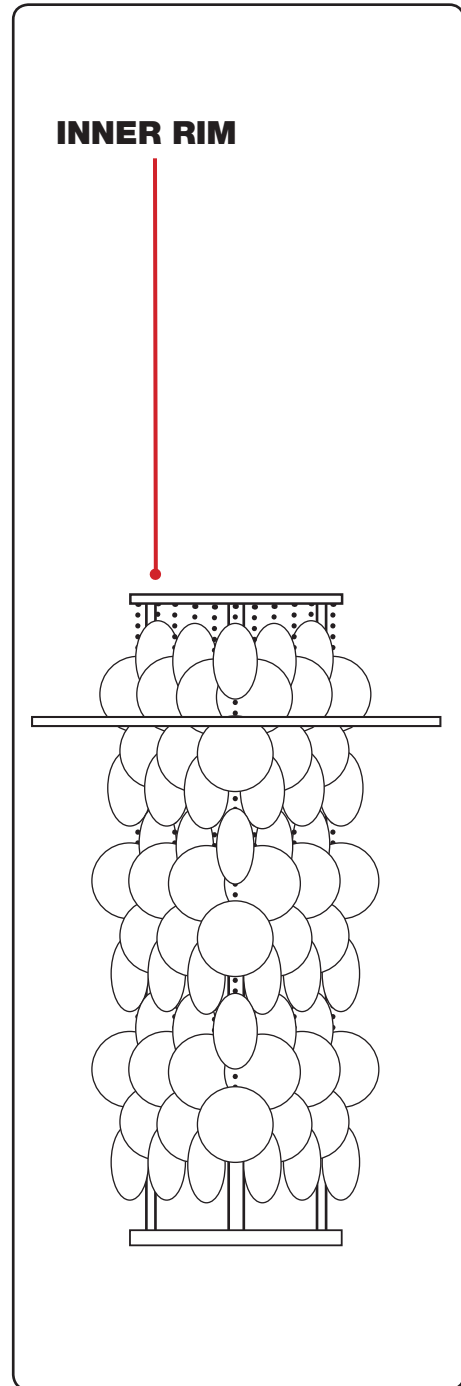
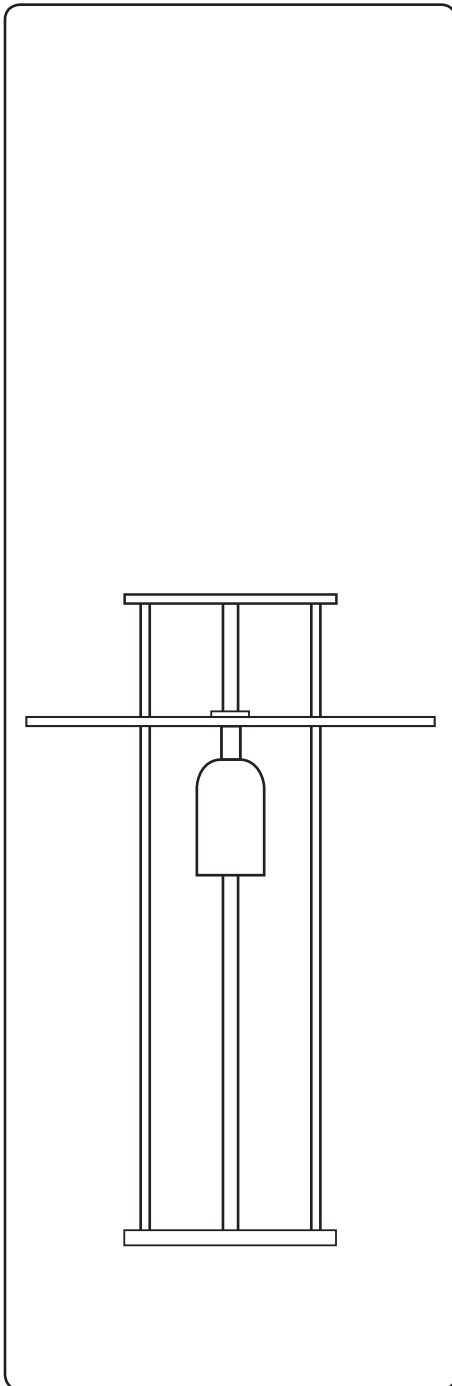


Fun 2TA

Design by VERNER PANTON

Please read thoroughly before assembly

1

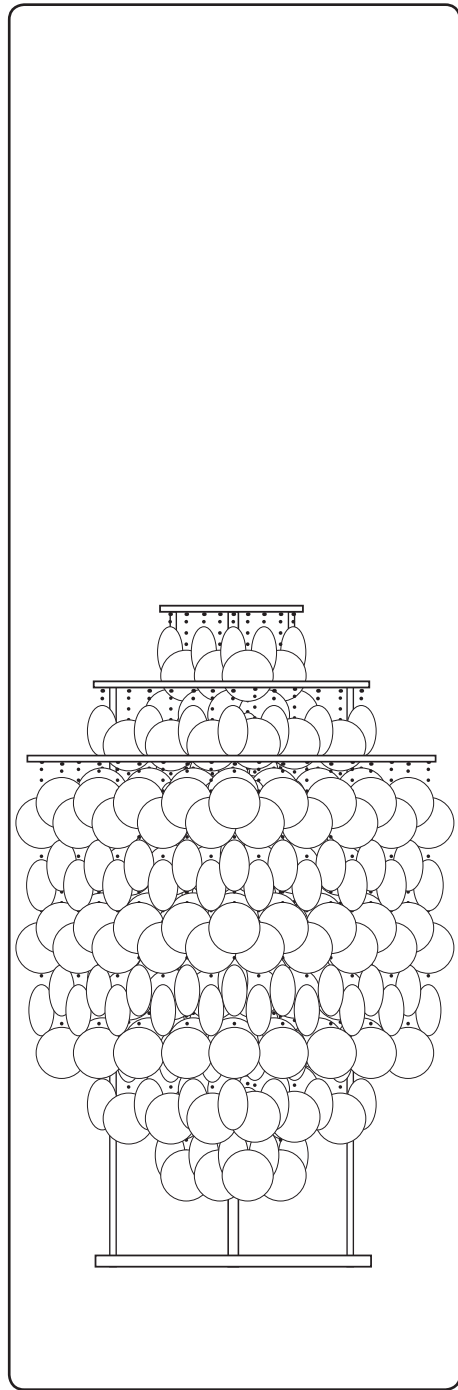
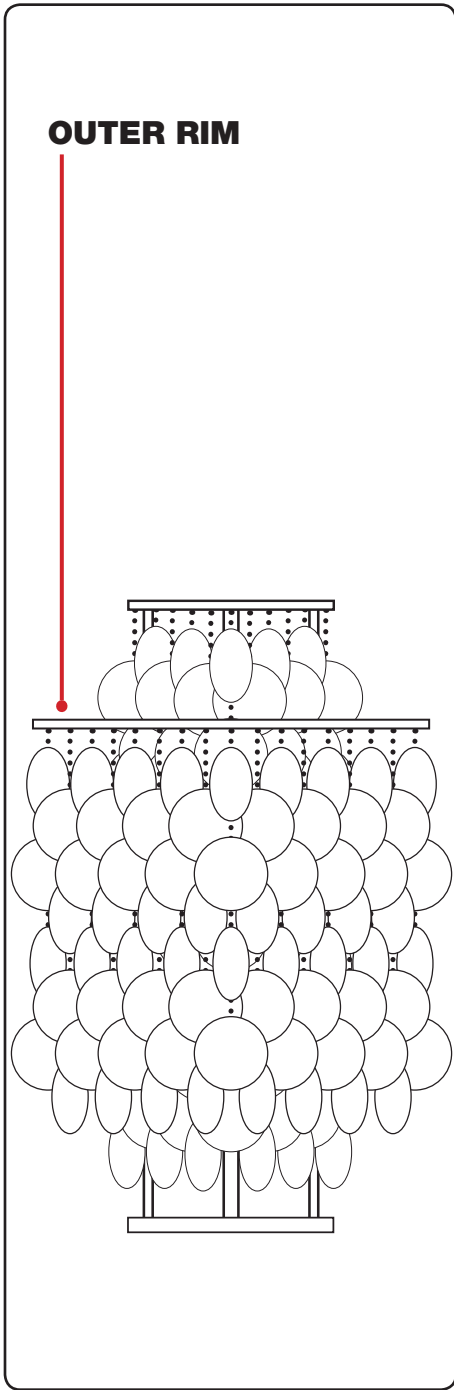


Take out the lamp from the box. Now you are ready to mount the plates.

INNER RIM

Mount plates from box with 6 discs + 4 rings and box with 6 discs + 1 rings.

Please note:
It is important that you alternate between the two lengths.



OUTER RIM

Mount plates from box with 4 discs + 4 rings and box with 4 discs + 1 rings.

Please note:
It is important that you alternate between the two lengths.

HOW TO CLEAN:

Clean with a soft cloth, warm water and a mild detergent. Do NOT use any abrasive materials.

DESIGNED
IN THE PAST
MADE FOR
TOMORROW

VERPAN ApS
Egeskovvej 29
8700 Horsens
Denmark

www.verpan.com

info@verpan.com